

LED driver 20 W 300-1000 mA

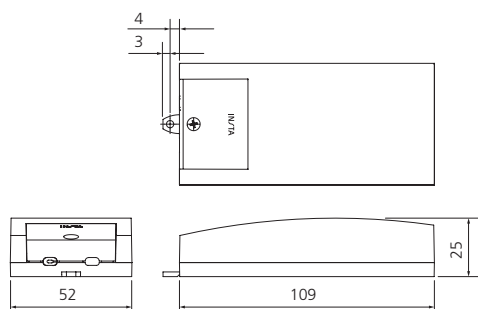
Art.-No. 50900301



Technical data

Rated voltage	AC 110...240 V~
Mains frequency	50/60 Hz
Power factor	0.9 (at 230 V)
Power consumption	24 W
Output voltage	max. DC 33 V (SELV equiv.)
Output current output 1	250...1000 mA adjustable
Output current output 2	250...500 mA adjustable
Connected load	1...20 W
Number of LEDs output 1	1-9 LEDs in a row (Uf 3.2 V)
Number of LEDs output 2	1-9 LEDs in a row (Uf 3.2 V)
Ambient temperature $t_a$	-25...+50 °C
Housing temperature $t_c$	< 85 °C
Connection lead prim.	H03VVH2-F 2x0.75 mm <sup>2</sup>
Connection cable sec.	»plug&light« plug-in system Flexible, 2x0.25 mm <sup>2</sup>

- Compact power supply unit for connection of current-driven LEDs with a total capacity of max. 20 Watt.
- Output current adjustable 300 to 1000 mA
- Dimmable 0-100% via 1-10 V, potentiometer or push-button
- Idle-run and short-circuit proof, over-temperature protection.
- With ready-for-connection plug system »plug&light«.



LED driver 12 W 350/700 mA

Art.-No. 50900300



Technical data

Rated voltage AC	110...240 V~
Mains frequency	50/60 Hz
Power factor	0.9 (at 230 V)
Power consumption	14.6 W
Output voltage	max. DC 33 V (SELV equiv.)
Output current	350/700 mA switchable
Connected load	1...12 W
Number of LEDs at 350 mA	1-9 LEDs 1.2 W in series
Number of LEDs at 700 mA	1-5 LEDs 2.3 W in series
Ambient temperature $t_a$	-25...+50 °C
Housing temperature $t_c$	< 85 °C
Connection lead prim.	H03VVH2-F 2x0.75 mm <sup>2</sup>
Connection cable sec.	»plug&light« plug-in system Flexible, 2x0.25 mm <sup>2</sup>

- Compact power supply unit for connection of current-driven LEDs with a total capacity of max. 12 Watt.
- Output current switchable between 350 or 700 mA
- Idle-run and short-circuit proof, over-temperature protection.
- With ready-for-connection plug system »plug&light«.

